



# CK20 SERIES

## Specifications

MODEL	CK2620	CK2620H	CK3520	CK3520H	CK4020	CK4020H
<b>ENGINE</b>						
Engine Gross	HP (KW) 24.5 (18.2)		34.9 (26)		39.6 (29.5)	
PTO	HP (KW) 19.5 (14.5)	18.7 (13.9)	30.9 (23)	28.9 (21.6)	34.8 (26.0)	33.3 (24.8)
Displacement	cu. in. (cc) 100.5 (1,647)		111.4 (1,826)			
Rated Revolution	2,400 rpm		2,600 rpm			
Fuel Tank Capacity	9 gal. (34 ℓ)					
<b>DRIVE TRAIN</b>						
Clutch	Dry Dual Stage	Dry Single Stage	Dry Dual Stage	Dry Single Stage	Dry Dual Stage	Dry Single Stage
Transmission	Manual	Hydrostatic	Manual	Hydrostatic	Manual	Hydrostatic
Speeds	9F/3R	3 Range	9F/3R	3 Range	9F/3R	3 Range
Differential Lock	Rear Standard					
Brake	Wet Disc Type					
PTO	Live					
Rear PTO (Standard)	540 rpm					
Mid PTO (Optional)	2,000 (Optional)					
4WD Type	Manual					
<b>HYDRAULIC SYSTEM</b>						
Pump	Gear					
Pump Capacity (Max flow rate)	11.73 gpm (44.4 ℓpm)					
3-Point Hitch	Category I					
Maximum Lifting Capacity*	1,631 lbs. (740 kg)					
Hydraulic Lift Control System	Position					
No. of Standard Remote Valves	(2 Optional)					
Steering	Hydraulic Power Steering					
<b>TIRE SIZE</b>						
Front AG. (Turf, Industrial)	7-16 (28*8.5-15/6, 27 x 8.5-15)					
Rear AG. (Turf, Industrial)	11.2-24 (41*14-20/4, 15-19.5)					
<b>TRAVELING SPEEDS</b>						
Forward	mph (kph) 0.75-9.79 (1.21-15.75)	0-10.01 (0-16.11)	0.94-14.64 (1.52-23.56)	0-14.88 (0-23.94)	0.94-14.64 (1.52-23.56)	0-14.88 (0-23.94)
Reverse	mph (kph) 0.94-6.39 (1.51-10.29)	0-7.01 (0-11.28)	1.2-9.56 (1.90-15.39)	0-10.41 (0-16.76)	1.2-9.56 (1.90-15.39)	0-10.41 (0-16.76)
<b>DIMENSIONS</b>						
Overall Length (incl. 3-pt hitch)	120.87 in. (3,070 mm)					
Overall Width (min. tread)	54.53 in. (1,385 mm)					
Overall Height	92.91 in. (2,360 mm)					
Wheelbase	65.75 in. (1,670 mm)					
Min. Ground Clearance	13.39 in. (340 mm)					
Tread	Front (AG)		48.22 in. (1,255 mm)			
	Rear (AG)		47.04 in. (1,102 mm)			
Min. Turning Radius (w/brake)	8.95 ft. (2.72 m)					
Weight w/AG. Tires	lbs. (kg) 2,635 (1,195)	2,690 (1,220)	2,679 (1,215)	2,734 (1,240)	2,679 (1,215)	2,734 (1,240)

\*(24" aft. of hitch)

NOTE: Specifications and design are subject to change without notice.

### STANDARD EQUIPMENT

- Power Steering
- Rear PTO
- Wet Multi Disc Brakes
- Joystick Valve
- Drawbar
- Headlights
- Parking Brake
- PTO Shield

### OPTIONAL EQUIPMENT

- Deck Mat
- Front Weights
- Mid PTO
- HST Linked Pedal (HST Only)
- Telescopic Lower Links
- Clevis Type Drawbar
- Side View Mirror (1 ea)
- Dual remote Hydraulic Valve (spring/spring & detent/dual detent)
- Fuel Heater Kit (N/A on CK2620)
- Rear Wheel Weight (Ag Tire Only)
- 3rd Function Kit for Front End Loader

### ATTACHMENTS

- Front End Loader
- Backhoe
- Snowblower
- Contact your local KIOTI dealer for available implements and attachments.

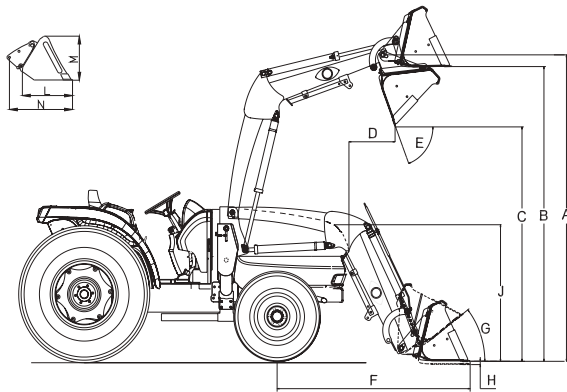


# CK20 SERIES

## Specifications

### Front End Loader

The KIOTI KL4030 front end loader is specifically designed for the CK20 Series model tractors, providing efficient performance with single lever joystick control. The KIOTI loader, with a built-in parking stand, is designed to be quickly and easily attached and detached. KL Series loaders utilize the tractor's hydraulic system, feature single-lever control with float and come with a bucket level indicator.



### Loader Specifications

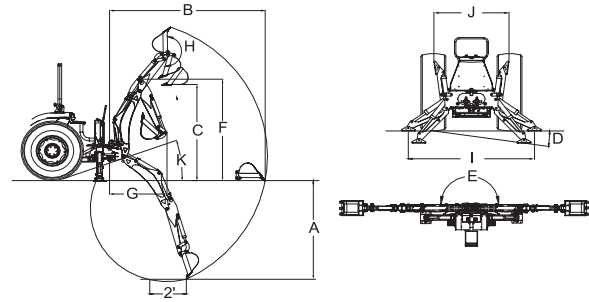
MODEL	KL4030	KL4030C
A Maximum Lift Height to Pivot Pin	98.4 in. (2,500 mm)	98.4 in. (2,500 mm)
B Clearance w/ Bucket Level	93 in. (2,360 mm)	88 in. (2,234 mm)
C Clearance w/ Bucket Dumped (45°)	79.1 in. (2,010 mm)	74 in. (1,864 mm)
D Reach at Maximum Height	27.2 in. (690 mm)	11.3 in. (286 mm)
E Maximum Dump Angle	48°	48°
F Reach w/ Bucket on Ground	62.2 in. (1,580 mm)	63.4 in. (1,610 mm)
G Maximum Rollback Angle	28°	28.5°
H Digging Depth Below Grade	5.3 in. (135 mm)	4.8 in. (122 mm)
J Overall Height in Carry Position	49.6 in. (1,260 mm)	53.1 in. (1,349 mm)
L Bucket Depth (Inner Shell)	19.9 in. (505 mm)	19.1 in. (485 mm)
M Bucket Height	20.7 in. (526 mm)	19.7 in. (501 mm)
N Bucket Length (Pivot Pin)	26.9 in. (682 mm)	24.3 in. (616 mm)
Lift Capacity at 59.84 in. (1,520 mm) Pivot Pin Height	1,835 lbs. (832 kg)	1,969 lbs. (893 kg)
Breakout Force at Pivot Pins	3,464 lbs. (1,571 kg)	2,989 lbs. (1,356 kg)
Relief Valve Setting (Loader Control Valve)	2,560 psi	2,567 psi
Rated Flow (Tractor System)	6.9 gpm (26.12 L/min)	6.9 gpm (26.12 L/min)
Bucket Sizes Available (QA)	60 in. / 66 in.	60 in. / 66 in.
Approximate Weight (With Bucket)	60 in.: 959 lbs. (435 kg) / 66 in.: 981 lbs. (445 kg)	915-928 lbs. (415-421 kg)
Bucket Capacity (Heaped)	60 in.: 9.39 cu. ft. / 66 in.: 10.10 cu. ft.	60 in.: 9.5 cu. ft. / 66 in.: 10.2 cu. ft.
Bucket Rollback Force at Ground Line	1,763.7 lbs. (800 kg)	2,758 lbs. (1,251 kg)
<b>Cycle Times</b>	<b>2,600 rpm (Full)</b>	
Raise Boom Frame	3.9 sec	
Lower Boom Frame	2.3 sec	
Dump Bucket	3.2 sec	
Retract Bucket	1.9 sec	

\* Specifications and design are subject to change without notice.

\* Based on field inventory, previous loader models (KL2610 and KL4010) may still be available through a local dealer. Specifications available at KIOTI.com.

### Backhoe

The KIOTI KB2475L backhoe lets you trench up to 89.7" deep with a bucket dig force up to 2,817 pounds. The KB2475L Backhoe features subframe mounting, responsive two-lever controls with exceptional feathering, hydraulic stabilizers, transport lock and a variety of standard and heavy-duty buckets.



MODEL	KB2475L
A Digging Depth (Two Foot Flat Bottom)	89.7 in. (2,280 mm)
B Reach from Center Line of Swing Pivot	125.1 in. (3,180 mm)
C Loading Height (Bucket at 60°)	72.4 in. (1,840 mm)
D Maximum Leveling Angle	10°
E Swing Arc	180°
F Transport Height (Maximum)	83.5 in. (2,120 mm)
G Transport Overhang	49 in. (1,245 mm)
H Bucket Rotation	180°
I Stabilizer Spread (Down Position)	68.7 in. (1,745 mm)
J Stabilizer Spread (Up Position)	46.4 in. (1,180 mm)
K Angle of Departure	21°
Shipping Weight (Without Bucket)	880 lbs. (399 kg)
Bucket Digging Force	2,817 lbs. (1,278 kg)
Dipperstick Digging Force	2,105 lbs. (955 kg)
Operating Pressure	2,466 psi (170 bar)

### Cylinders

Cylinder	Bore DIA	Retracted Length	Stroke	Rod DIA
Boom	2.75	24.41	15.12	1.57
Bucket	2.36	21.06	11.77	1.38
Dipperstick	2.75	23.5	14.84	1.57
Swing	2.36	15.67	8.78	1.38
Stabilizer	2.36	17.56	10.32	1.38

### Buckets

Bucket	Teeth Quantity	Struck Capacity	Heaped Capacity	Shipping Weight
9" Bucket	3	0.73 cu. ft.	0.87 cu. ft.	46 lbs.
12" Bucket	3	1.01 cu. ft.	1.24 cu. ft.	56 lbs.
16" Bucket	3	1.38 cu. ft.	1.76 cu. ft.	64 lbs.
18" Bucket	4	1.56 cu. ft.	2.02 cu. ft.	70 lbs.
24" Bucket	5	2.11 cu. ft.	2.82 cu. ft.	94 lbs.
36" Bucket	6	2.78 cu. ft.	4.00 cu. ft.	114 lbs.

\* Specifications and design are subject to change without notice.